



SN-IPS5943MDR-Z40

4MP IR PTZ Network Camera



Key Features

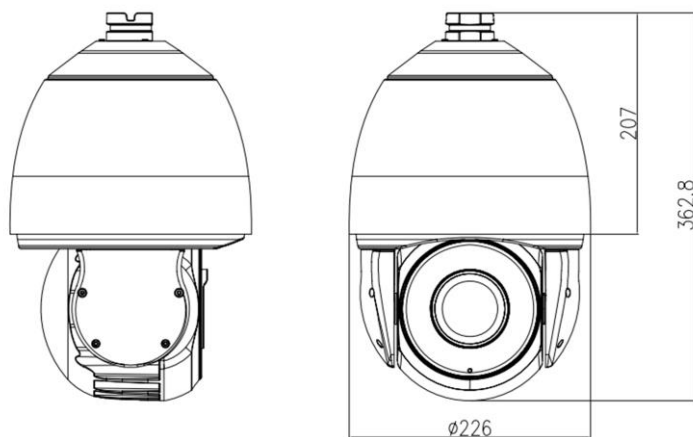
- 1/2.8" progressive scan CMOS
- 40x optical zoom, 16x digital zoom
- 4MP(2592×1520) @ 25/30fps
- Multiple streams
- 3D DNR, WDR, ICR, IVS, Defog
- Auto tracking
- Smart IR range up to 200 m
- IP66

Specification

Camera	
Image Sensor	1/2.8" Progressive Scan CMOS
Effective Pixels	2592(H) x 1520(V)
Electronic Shutter	Auto/Manual, 1/5 ~ 1/20,000s
Min. illumination	Color: 0.01 Lux @ (F1.2, AGC ON) B/W: 0 Lux @ (IR LED ON)
S/N Ratio	55 dB
Day/Night	Auto(ICR)/Day / Night/Timing
Wide Dynamic Range	WDR 120 dB
IR Range	Smart IR, Up to 200 m (656.2 ft)
IR On/Off Control	Auto/Manual
Lens	
Focal Length	4.98 ~ 199.2mm
Max. Aperture	F1.2 ~ F3.5
Angle of View	H: 59.1°~1.8°, V: 38.4°~1.1°
Optical Zoom	40x
Digital Zoom	16x
Focus Control	Auto/Manual
PTZ	
Pan/Tilt Range	Pan: 0° ~ 360° endless, Tilt: -10° ~ +90°
Manual Control Speed	Pan: 0.1° ~ 180°/s, Tilt: 0.1° ~ 90°/s
Preset Speed	Pan: 180°/s, Tilt: 90°/s
Presets	400
PTZ Mode	6 Track, 12 Tour, 12 Scan,
Speed Setup	Auto/Manual (0-8)
Power up Action	Support
Idle Motion	Activate Preset/ Scan/ Tour/ Track if there is no command in the specified period
Video	
Max. Resolution	4MP (2592x1520)
Streaming Capability	3 Streams
Stream/Frame Rate	Stream1: 2592x1520/2560x1440/2304x1296/ 1920x1080/1280x720 @ 25/30fps Stream2: D1/VGA/640x360/CIF/QVGA @ 25/30fps Stream3: VGA/CIF/QVGA @ 25/30fps
Bit Rate Control	CBR/VBR
Bit Rate	Stream1: 200kbps~12Mbps Stream2: 10kbps~6Mbps Stream3: 10kbps~3Mbps
Image Enhancement	HLC/BLC/Anti-shake/Defog /WDR
Noise Reduction	2D/3D DNR
Region of Interest	Off/On (8 Zone, Rectangle)
Motion Detection	Support
Privacy Masking	Off/On (4 Area, Rectangle)

Audio	
Audio Compression	G.711, RAW_PCM
Bit Rate	8kbps(G.711), 16kps(RAW_PCM)
Network	
Protocols	IPv4/IPv6, 802.1x, HTTP, HTTPS, TCP/IP, UDP/IP, RTSP, DHCP, NTP, RTCP/RTP, PPPoE, SMTP, DNS, UPnP, FTP, ARP, SNMP
Interoperability	ONVIF, SDK, CGI
Streaming Method	Unicast
Max. User Access	10 Users
Edge Storage	Local PC for instant recording, Micro SD card 256GB
Web Viewer	<IE11, Chrome, Firefox
Management Software	SunView
Intelligence	
Auto Tracking	Support
IVS	Perimeter, Single Virtual Fence, Double Virtual Fences, Loiter, Multi Loiter, Object Left, Object Removed, Abnormal Speed, Converse, Illegal Parking, Signal Bad
Interface	
Ethernet	1 Ethernet (10/100 Base-T) RJ-45 Connector
Audio	1ch Input, 1ch Output
Alarm	7ch Input, 2ch Output
RS485	Support
CVBS Output	Support
Reset Button	Yes (Built-in)
Electrical	
Power Supply	AC24V/Hi-POE (Adapter optional)
Power Consumption	Less than 40 W
Operating Temperature	Starting Temperature: -40°C ~ 60°C (-40°F ~ 140 °F) Working Temperature: -55°C ~ 60°C (-67°F ~ 140 °F)
Operating Humidity	Less than 90% RH
Ingress Protection	IP66, TVS4000V
Certifications	CE/FCC
Casing	Metal
Dimensions	Φ226 × 362.8 mm (Φ8.9 × 14.28 inch)
Net Weight	5.2 kg (11.46 lb)

Dimensions (mm)



Accessories

Optional:



SN-BK349
Wall Bracket



SN-BK348
Ceiling Bracket



SN-BK605
Corner Mount



SN-BK604B
Pole Mount